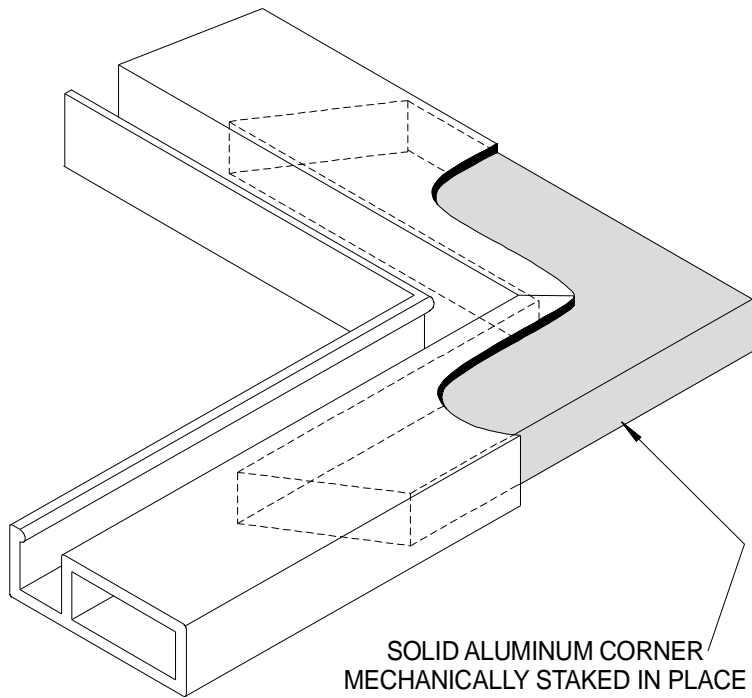
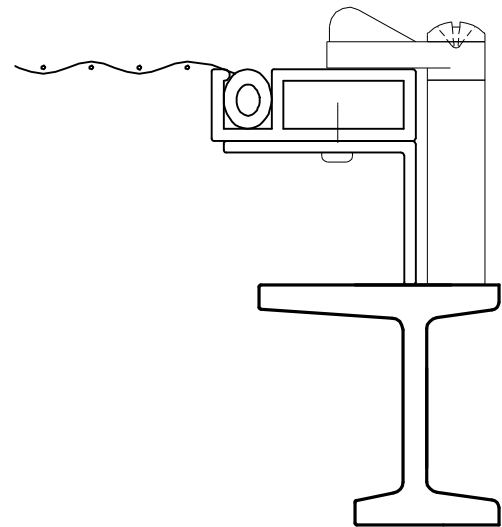


**1 JAMB DETAIL**  
 SCALE: FULL  
 HEAD and SILL SIMILAR

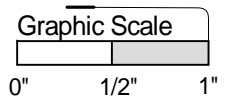


SOLID ALUMINUM CORNER  
 MECHANICALLY STAKED IN PLACE

**CORNER DETAIL**

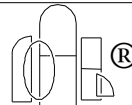


**1 JAMB DETAIL  
 with CLIP**  
 SCALE: FULL  
 HEAD and SILL SIMILAR



PRODUCT  
 BUILD-OUT SCREEN  
 S-102 FRAMING

DWG. NO.  
**I-7**



**Allied Window**  
 Performance Panels®

11111 CANAL ROAD • CINCINNATI, OH 45241 • PH: 800-445-5411, 513-559-1212 • FAX: 513-559-1883 • www.alliedwindow.com • info@alliedwindow.com